

**NAME: CENTER MOUNT BLADE**

**PART NUMBER(S): 21308**

These up instructions give the procedure for assembling the center mount blade. All reference to right side, left side, front and rear are given from the operator's position.

**1.0 HOW TO TIGHTEN THE BOLTS**

Tighten the bolts used to assemble the center mount blade to the torque shown in the bolt torque specifications.

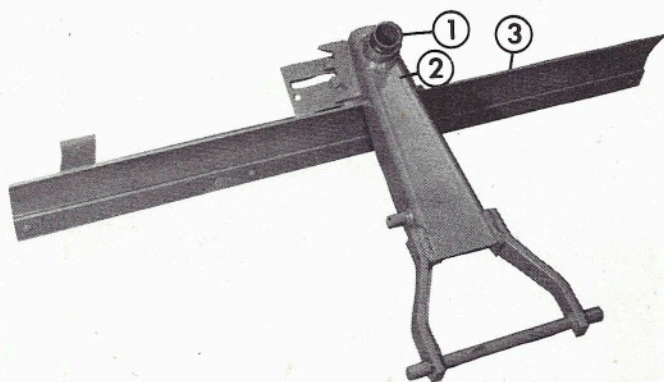
**BOLT TORQUE SPECIFICATIONS**

BOLT SIZE	FOOT POUNDS (ft. lbs.)	NEWTON METERS (N.m)
1/4"	7	9.5
5/16"	14	19
3/8"	25	34
7/16"	40	54
1/2"	60	82
9/16"	83	113
5/8"	120	163
3/4"	200	271

- Put the frame on the pivot tube as shown in figure 2.0-1.
- Put the large flat washer on the pivot tube and install the retaining ring. Make sure the retaining-ring is in the groove of the pivot tube. See figure 2.0-2.

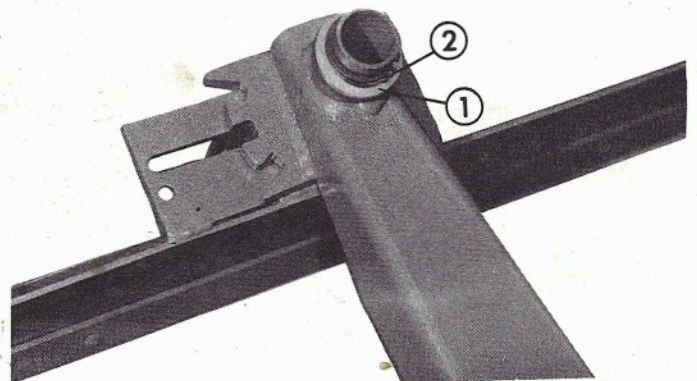
**2.0 HOW TO ASSEMBLE THE CENTER MOUNT BLADE**

- Put multi-purpose grease on the pivot tube. See figure 2.0-1.



- 1 - Pivot Tube
- 2 - Frame
- 3 - Blade

Figure 2.0-1



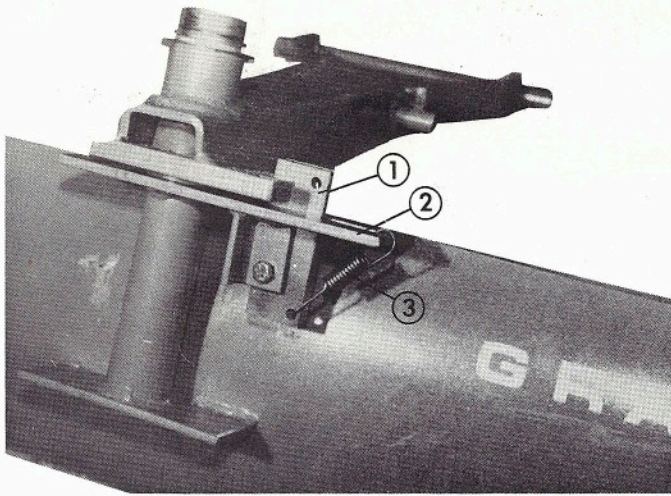
- 1 - Large Flat Washer
- 2 - Retaining Ring

Figure 2.0-2

- Put the small bushing into the large hole in the latch block. Put the latch block through the slot in the latch support with the two small holes towards the right side of the blade. See figure 2.0-3.

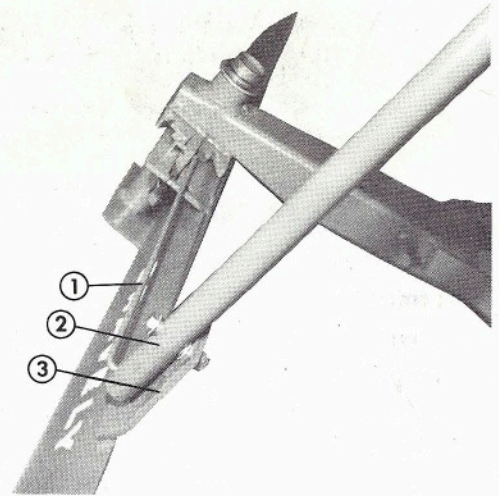
**31949 (8-79)**





- 1 - Latch Block
- 2 - Latch Support
- 3 - Spring

Figure 2.0-3



- 1 - Latch Rod
- 2 - Handle
- 3 - Handle Support

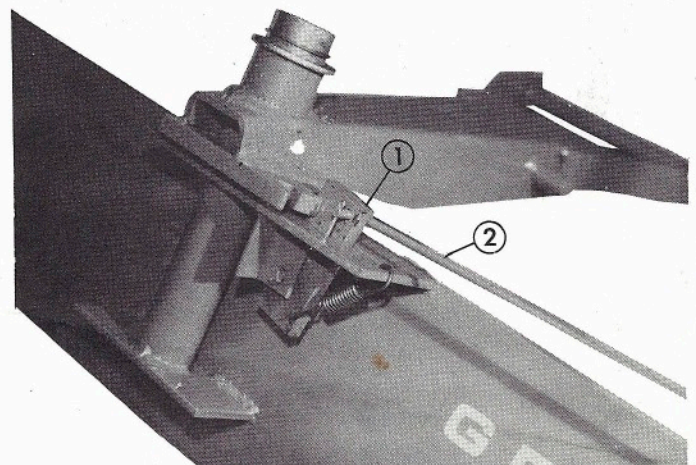
Figure 2.0-4

5. Fasten the latch block in position with the 5/16" x 1-3/8" bolt, the flat washer and the 5/16" lock nut.
6. Put the end of the spring, that has the 90° bend, in the small hole that is near the bottom of the latch block. Put the other end of the spring over the end of the latch support at the end of the slot. See figure 2.0-3.

8. Put the bushing in the large hole in the handle. Fasten the handle to the handle support with the two flat washers, the 3/8" x 2" bolt and the 3/8" lock nut. See figure 2.0-4.
9. Put the other end of the latch rod into the hole in the top of the latch block. Install the cotter pin. See figure 2.0-5.

**NOTE: The latch rod does not go all the way through the lever.**

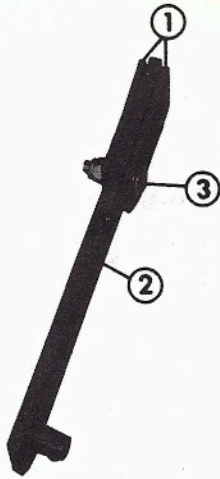
7. Put the end of the latch rod, that has the short bend, through the small hole in the handle. Install the cotter pin. See figure 2.0-4.



- 1 - Latch Block
- 2 - Latch Rod

Figure 2.0-5

10. Fasten the shear plates to each side of the link with the 5/16" x 1-1/4" round head bolt and the 5/16" lock nut. See figure 2.0-6.



- 1 - Shear Plates
- 2 - Link
- 3 - Round Head Bolt

Figure 2.0-6

11. Align the holes in the shear plates with the hole in the link. Tighten the nut to a torque of 25 ft. lbs. (34 N.m).